

FF-L-2890C

GSA APPROVED

Type VII - Push Pull Lock Down Model (NEW)

Compliance & Certifications

FF-L-2890C

GSA Approved

U.L. Fire Rated

NFPA 80 & 101 Life Safety

BHMA/ADA Grade 1



Without Key Override



With Key Override



Lock Down Model

Type VII - Push Pull

The LockOne® Lock Series Lock Down Model is designed for use on secondary entry/exit doors using an access control system to regulate the flow of traffic into rooms without impeding egress. It can be mechanically disabled with the turn of a knob. This action denies entrance into the area, but single motion egress is always available.

BENEFITS

Interchangeable - You can install the LockOne™ Lock Series in your facility to maintain a consistent look as the exterior trim has not changed.

Retrofittable - Simply remove the existing LKM7000 and attach our retrofit fixture, modify a few existing holes then install the Type VII model (sold separately).

Field Tested - With thousands of LKM10Ks in use today the improvements made will exceed your expectations.

Ease of Operation - The internal linear bearing allows for easy entry and exit even with heavy loads applied to the door.

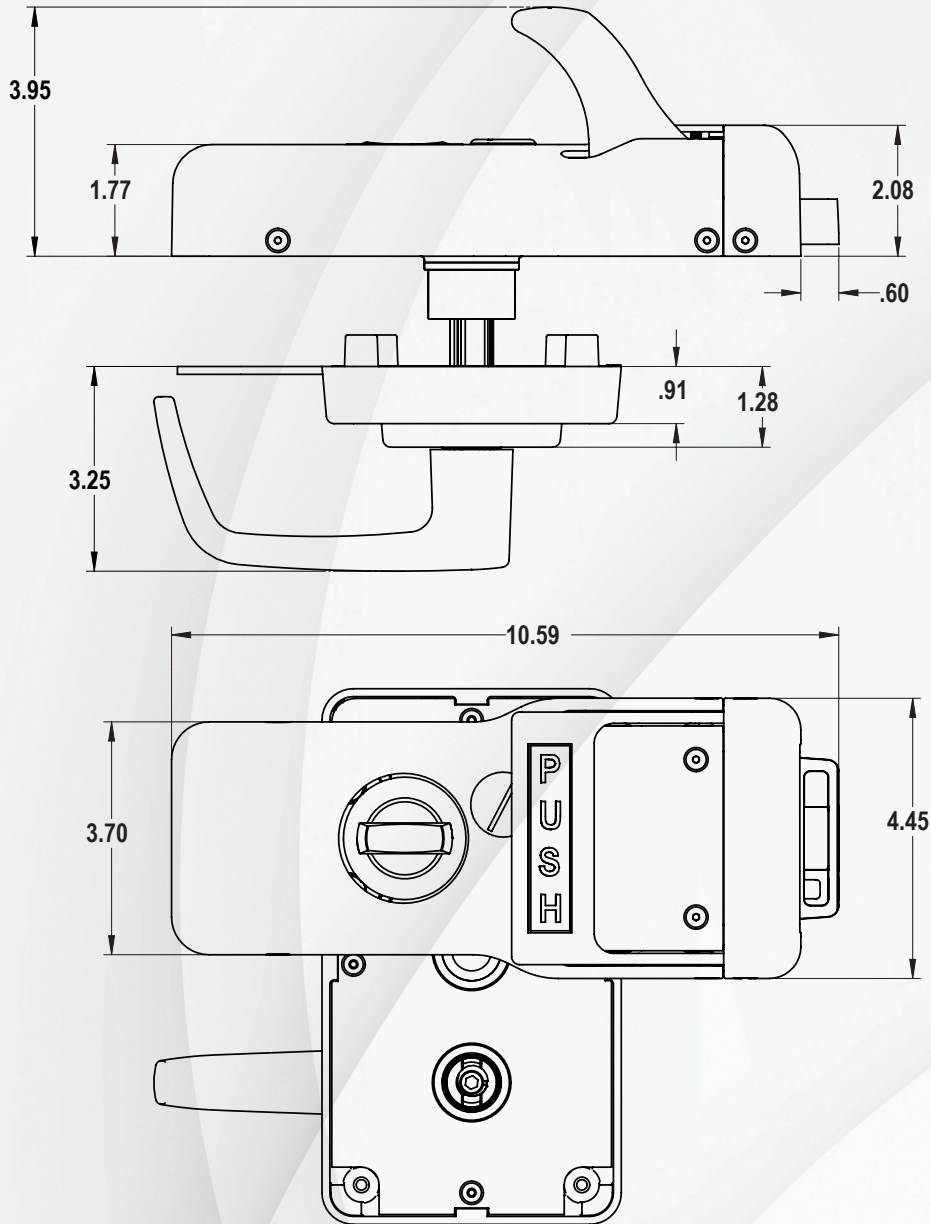
Key Override Option - A separate module is no longer necessary for this option. Key Override is standard on all LKM10K models. However, it is optional to utilize, so it can be added with little effort at a later date if necessary. Key Override it allows a key to "override" the access control device only. It will not override the combination lock. This capability is particularly important during the event of power outage, failure or malfunction of an access control device, or an emergency that requires expedited entry.

Note: Cylinder not included

Providing **Life Safety**
and **High Security**

LKM10K
High Security Life Safety Exit Device

Access Control Interior Base Plate Model



Specifications

Materials

Lock Housing - Stainless Steel
Finish - Stainless Steel & Black Powder Coat

Stainless Steel Deadbolt

Deadlocking, 7/16" throw
Encapsulated

Door Thickness

Minimum 1-1/8" - 2"; Maximum 2 5/8"

Door Types

Single or Double hung
Inswing (Push Pull)
Outswing (Push Pull)
Hollow Metal or Wood
Metal or Wood Frames

Handing

Non-handed

Monitoring Switches

Deadbolt Switch - monitors the Pedestrian
Device Bolt (Request to Exit - REX)
Lock Down Status Switch
Entry Monitoring Switch - monitors the Lever
Handle

Access Control

Accepts 12 or 24 volts DC - requires 1 amp
Keypad installs adjacent to or on door slab

Key Override Cylinder

Accepts 1-1/8" rim cylinder
Horizontal tailpiece orientation
Cylinder NOT included

Strike Test

A 6,000 lb force was applied to each type of
strike in the direction of the door swing.

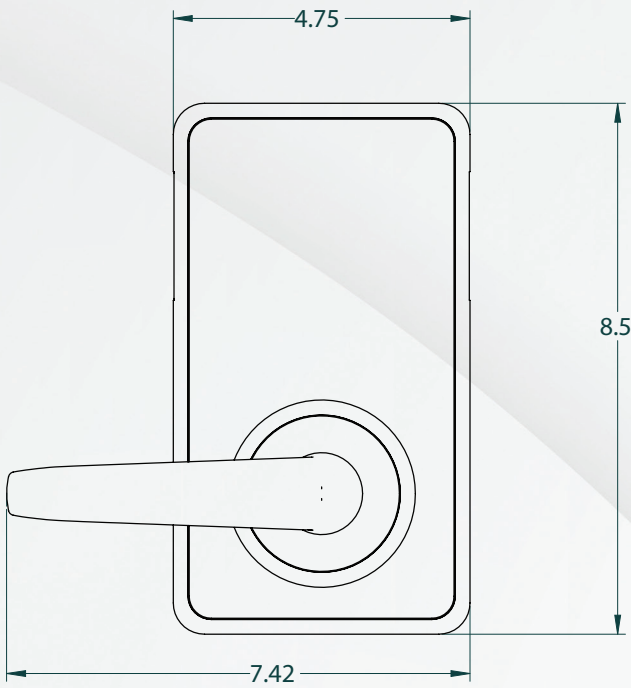
Warranty

2 year from date of manufacture

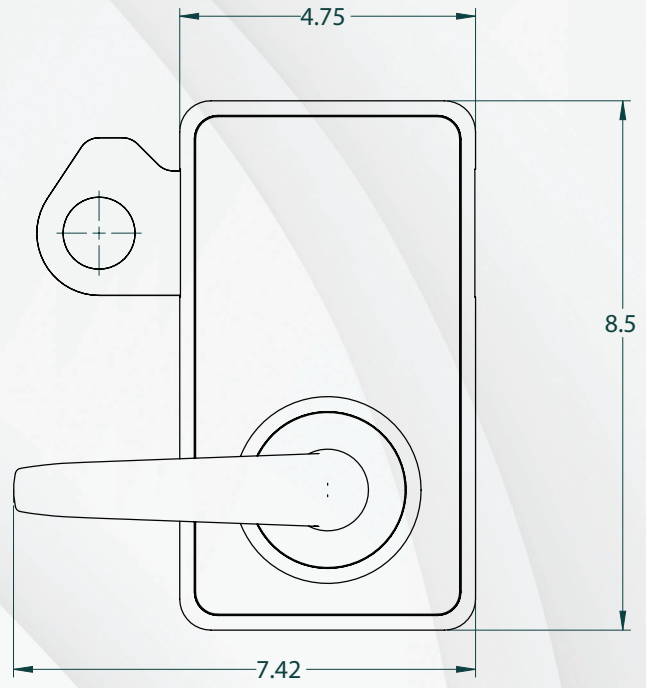
Providing **Life Safety**
and **High Security**

LKM10K
High Security Life Safety Exit Device

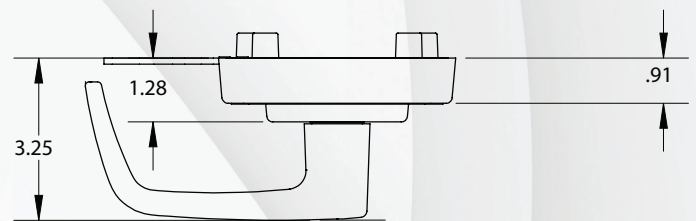
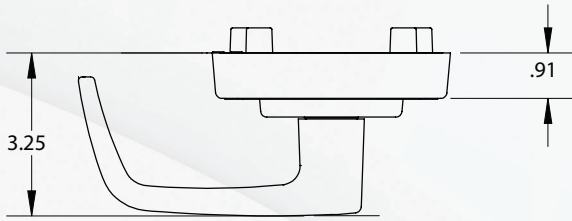
Exterior Trim Access Control Model



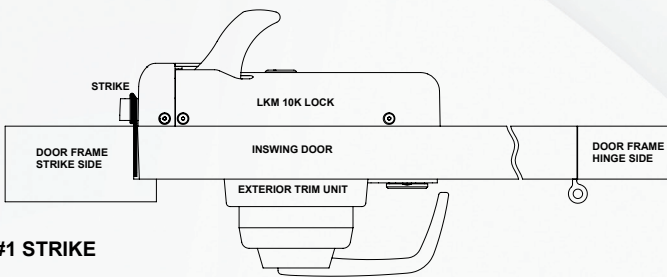
Without Key Override



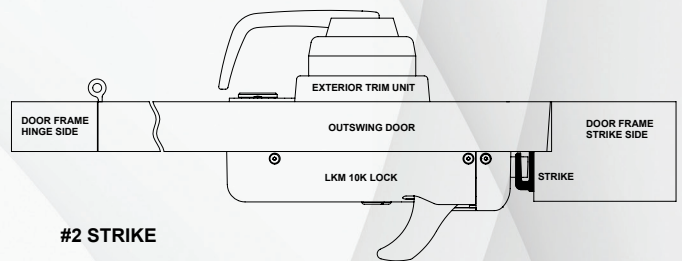
With Key Override



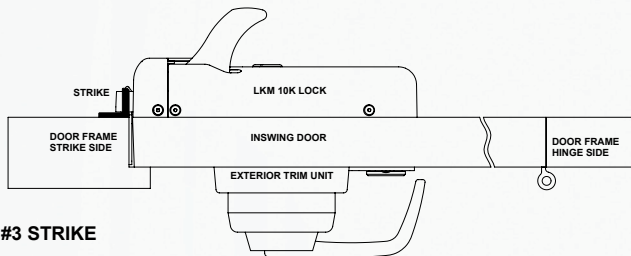
Exclusive Adjustable Stainless Steel Strikes



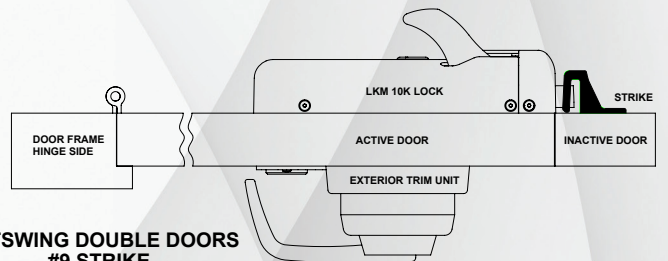
#1 STRIKE



#2 STRIKE



#3 STRIKE



**OUTSWING DOUBLE DOORS
#9 STRIKE**

Push Pull Lock Down Model Part Numbers - Type VII

Part Number	Type/Model	Door Application	Lock Options	Access Control	Strike Options
Type VII - Push Pull Lock Down Model					
LKM10KHLDS1	Type VII - Push Pull Lock Down Model	Primary Door For Use with Inswing Door	N/A	Existing	1
LKM10KHLDS2	Type VII - Push Pull Lock Down Model	Primary Door For Use with Outswing Door	N/A	Existing	2
LKM10KHLDS3	Type VII - Push Pull Lock Down Model	Primary Door For Use with Inswing Metal Frame Door	N/A	Existing	3
LKM10KHLDS9	Type VII - Push Pull Lock Down Model	Primary Door For Use with Pair of Doors	N/A	Existing	9

LOCKMASTERS[®]
I N C O R P O R A T E D

2101 John C. Watts Drive
Nicholasville, Kentucky 40356
800.654.0637
www.lockmasters.com
www.lkm10k.com